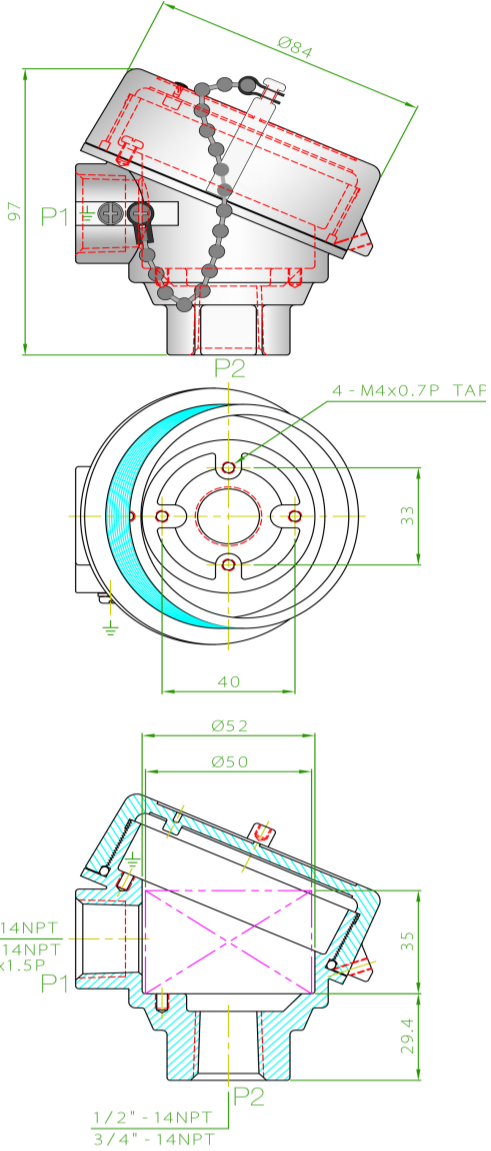


1010PAEM



Aluminum explosion proof Thermocouple head provided with FM, CSA, ATEX, IECEx certifications ,NEMA 4X and IP68 rating.
The connection head accommodates a terminal block or transmitter 2" (50mm) in diameter



- EXPLOSION-PROOF CERTIFIED
- NEMA 4X AND IP68 CERTIFIED
- WIDE SELECTION OF CONDUIT SIZES
- OPTION FOR CUSTOMIZED SS HALF MOON NAMEPLATE

Material of Construction : Die-Cast Aluminum or* Copper free Aluminum

Certification : FM / CSA / ATEX / IECEx

Connections: : 1/2" NPT, 3/4" NPT, M20 X 1.5P

Mounting Holes: : See attached Drawing

Surface Finishing: : Painted Grey (Custom Color)*

"O" Ring: : Buna "N"

Weight: : 0.5 KG (1.1lbs)

Accessories: : Terminal Block (Ceramic or Bakelite)



Class I Div I Groups B,C,D Class II Div I F&G Class III Type 4X IP68



Class I Div I Groups B,C,D Class II Div I Groups E,F,G Type 4X IP68



II2 g Exd II C Gb IP68 / II2 D Ex tb III C D b IP68



Ex d IIC Gb Ex b III C D b

MODEL	SIZE(P1-P2)	DESCRIPTION
1010PAEM-01	3/4" x 1/2" NPT	AI Explosion Proof Thermocouple head FM/CSA/ATEX/IECEX cert. NEMA 4X IP68
1010PAEM-02	1/2" x 1/2" NPT	AI Explosion Proof Thermocouple head FM/CSA/ATEX/IECEX cert. NEMA 4X IP68
1010PAEM-03	3/4" x 3/4" NPT	AI Explosion Proof Thermocouple head FM/CSA/ATEX/IECEX cert. NEMA 4X IP68
1010PAEM-08*^	M20x 1.5x 1/2" NPT	AI Explosion Proof Thermocouple head FM/CSA/ATEX/IECEX cert. NEMA 4X IP68
1010PAEM-09*^	M20x 1.5x 3/4" NPT	AI Explosion Proof Thermocouple head FM/CSA/ATEX/IECEX cert. NEMA 4X IP68
1010PAEM-10*^	1/2" x 3/4" NPT	AI Explosion Proof Thermocouple head FM/CSA/ATEX/IECEX cert. NEMA 4X IP68

***P1:Conduit Size. *P2:Instrument Connection.**

*THESE PRODUCTS
UPON REQUEST WITH EXTRA LEAD TIME

** extra lead time on product: Minimum 2000pcs for name tag.

^ extra lead time on these products.